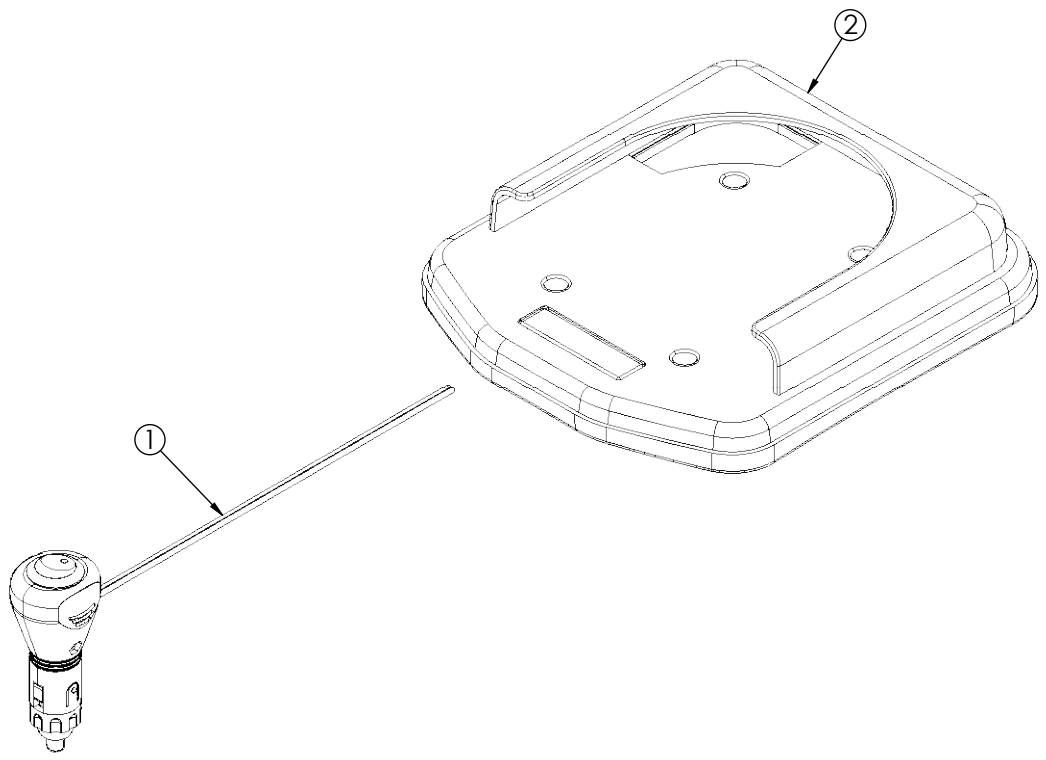


| REVISION HISTORY |                            |            |
|------------------|----------------------------|------------|
| REV.             | DESCRIPTION                | DATE       |
| A                | INITIAL RELEASE PER EL0057 | 2017-09-01 |
| B                | REVISED PER EC4720         | 2019-03-19 |
| C                | REVISED PER EC4720         | 2019-04-05 |



| ITEM NO. | QTY. | DESCRIPTION                              | COMMENTS |
|----------|------|--|----------|
| 1        | 1    | ASSY,CABLE,2-COND,15',CIG-PLUG,W/BULLET  |          |
| 2        | 1    | ASSY,SUB, MAGNETIC MNT PLATE, EW301X,WHT |          |

|  |              |            |
|--|--------------|------------|
| SCALE 1:3  | APPROVALS    | DATE       |
| CAD GENERATED DRAWING<br>DO NOT MANUALLY UPDATE.<br>MODEL REFERENCED: A              | DRAWN BY ABB | 2019-04-04 |
|  | CHECKED MDH  | 2019-04-05 |
| TOLERANCES ARE IN INCHES, AND MILLIMETERS<br>TOLERANCES UNLESS OTHERWISE STATED ARE: | MECH. ENG.   |            |
| MILLIMETERS DECIMALS<br>XX. ± 1.0mm<br>XX.X ± 0.5mm                                  | ELEC. ENG.   |            |
| INCHES DECIMALS<br>X.X ± 0.1<br>X.XX ± 0.04<br>X.XXX ± 0.02                          | TEST ENG.    |            |
| ANGLES<br>± 0.5°<br>FRACTIONS<br>± 1/64  | SALES. DMV   | 2019-04-04 |
| THIRD ANGLE PROJECTION   |              |            |



**ECCO**® [www.eccolink.com](http://www.eccolink.com)  
Americas (800) 635-5900 | Europe +44 (0)113 237 5340 | Asia Pacific +61 (0)3 63322444

|   |                        |                                    |  |
|---|------------------------|------------------------------------|--|
| <b>ACCESSORY MAGNETIC MNT KIT, EW301X,WHT</b> |                        | CUSTOMER PART NO.<br><b>EZ3016</b> | PRODUCT SERIES:<br><b>EZ</b>             |
| SIZE: <b>A</b>                                | DWG. NO. <b>EZ3016</b> | REV. <b>C</b>                      |  |
| Electronically Controlled Use Latest Copy     |                        | SHEET 1 OF 1                       | Project: EL0057 Date Created: 2017-06-14 |

NON DISCLOSURE AGREEMENT  
THIS DRAWING AND THE DESIGN IT DISCLOSES ARE THE PRIVATE PROPERTY OF ELECTRONIC CONTROLS CO. AND IS ISSUED IN CONFIDENCE FOR ENGINEERING INFORMATION ONLY. THE DRAWING AND / OR DESIGN MAY NOT BE USED, COPIED, REPRODUCED, OR OTHERWISE DISCLOSED IN PART OR AS A WHOLE TO OUTSIDERS OR USED FOR ANY OTHER PURPOSE WITHOUT THE PRIOR WRITTEN CONSENT OF ELECTRONIC CONTROLS CO. THE DRAWING IS SUBJECT TO RECALL AT ANY TIME. YOUR POSSESSION OF THIS DOCUMENT CONSTITUTES ACCEPTANCE OF THESE TERMS. © 2017 ELECTRONIC CONTROLS CO.